

# BHE-RT

## Product data Tomographic table

### MAIN FEATURES

- On floor track mobile tubestand in connection with a bucky table with elevating patient table top.
- Tube movements in height and along the longitudinal and transversal (option) ways.
- Manual movements with mobile parts balanced by counterweights, electromagnetic brakes.
- Column rotation around its vertical axis and tube rotation around the horizontal axis.
- Floating patient table top with adjustable height.
- Under table bucky carriage movable by hand grip and lockable by an electromagnetic brake.
- Foot pedals control for the up/down motorized movement and for the table top electromagnetic brakes.
- Max. admitted patient's weight: 150 kg.
- Push buttons control panel on the tube side with control for brakes and for the motorized movements.
- LC Display showing the equipment working conditions and goniometer for the incidences value reading.
- Bucky bar composed of two parts easily detachable and bentable under the arm tube support.



**BMI**  
BIOMEDICAL INTERNATIONAL

**TECHICAL FEATURES**

<b>LONGITUDINAL RAILS</b>	<ul style="list-style-type: none"> <li>Length</li> </ul>	220 cm
<b>STAND</b>	<ul style="list-style-type: none"> <li>Longitudinal travel</li> <li>Kind of moving / braking</li> <li>Angle of rotation around the vertical axis</li> <li>Rotation unlocking device</li> </ul>	162 cm manual / electromagnetic $\pm 90^\circ$ Mechanical by pedal
<b>RADIOGEN SYSTEM</b>	<ul style="list-style-type: none"> <li>Vertical travel</li> <li>Focus to floor minimum distance</li> <li>Kind of movement / braking</li> <li>Angle of rotation around the horizontal axis</li> <li>Movement of horizontal axis rotation / braking</li> <li>Angled positions put in evidence mechanically</li> <li>Movement / braking transversal movement (option)</li> </ul>	140 cm 53 cm Manual with counterweight balancing / electromagnetic $\pm 90^\circ$ with stop at any position manual / at permanent magnet every $90^\circ$ manual / electromagnetic
<b>CONTROL BOX</b>	<ul style="list-style-type: none"> <li>Grips for movements</li> <li>Controls of brakes and motorized movements</li> <li>Feature visualization</li> <li>X-Ray beam incidence indicator</li> </ul>	At the sides of the control board in ergonomic position L C Display 40+40 letters goniometer
<b>TOMO FEATURES</b>	<ul style="list-style-type: none"> <li>S.I.D. in Tomo</li> <li>Sweeping angles</li> <li>Sweeping times</li> <li>Layer variation</li> </ul>	105 cm $8^\circ / 20^\circ / 30^\circ / 40^\circ$ 0,3/0,6 s – 0,75/1,5 s / 1,15/2,3 s / 1,5/3 s From 0 to 24 cm
<b>PATIENT TABLE TOP</b>	<ul style="list-style-type: none"> <li>Absorption according to I.E.C. 60 601-2-35</li> <li>Longitudinal travel</li> <li>Transversal travel</li> <li>Braking through foot pedal control</li> <li>Patient's maximum weight allowed</li> <li>Table top to film distance</li> </ul>	0,9 mm Al eq. 76 cm (38 cm each side) 26 cm (13 cm each side) electromagnetic 150 kg 7 cm
<b>ELEVATING BUCKY TABLE</b>	<ul style="list-style-type: none"> <li>Minimum distance from table top to floor</li> <li>Maximum distance from table top to floor</li> <li>Table top height variation</li> <li>Average speed</li> </ul>	53,3 cm 85,3 cm 32 cm 3 cm/s
<b>BUCKY CARRIAGE</b>	<ul style="list-style-type: none"> <li>Kind of movement</li> <li>Longitudinal travel</li> <li>Electromagnetic brake control</li> </ul>	manual 50,5 cm by push button
<b>FRONT TUBE CONTROL BOX</b>	<ul style="list-style-type: none"> <li>Grips for movements</li> <li>Push buttons to unlock the brakes</li> <li>Focus to film distance and incidence values indicator</li> <li>X-Ray beam incidence indicator</li> </ul>	Covered in synthetic rubber in ergonomic position LCD 2x40 characters Goniometer
<b>POWERING</b>	<ul style="list-style-type: none"> <li>Voltage / frequency</li> <li>Max. absorbed power</li> </ul>	230 (220/240) VAC 50/60Hz 700 VA (lamp of diaphragm of 100 W max included)

**TECHICAL FEATURES**

<b>COLOURS</b>	<ul style="list-style-type: none"> <li>Painted parts RAL 9002</li> <li>Adhesive membrane Grey / Pantone green 553U</li> </ul>
<b>WEIGHTS</b>	<ul style="list-style-type: none"> <li>Floor rail 70 kg</li> <li>Stand 130 kg</li> <li>Elevating Bucky table + patient table top 290 kg</li> </ul>
<b>EQUIPMENT IDENTIFICATION</b> (according to EN 60 601)	<ul style="list-style-type: none"> <li>Classification class I type B</li> <li>Typology of installation permanently connected</li> <li>Operation mode continuous with intermittent load</li> </ul>
<b>STANDARD COMPLIANCE</b>	<ul style="list-style-type: none"> <li>Safety EN 60 601</li> </ul>
<b>TRANSPORT AND STOCK ENVIRONMENT</b>	<ul style="list-style-type: none"> <li>Temperature range 0 °C ÷ 50 °C</li> <li>Relative humidity range (without condensation) 10 % ÷ 90 %</li> <li>Atmospheric pressure range 50 kPa ÷ 110 kPa</li> </ul>
<b>OPERATIVE ENVIRONMENT</b>	<ul style="list-style-type: none"> <li>Temperature range 10 °C ÷ 40 °C</li> <li>Relative humidity range 30 % ÷ 75 %</li> <li>Atmospheric pressure range 70 kPa ÷ 110 kPa</li> </ul>

**ADDITIONAL SYSTEM COMPONENTS**

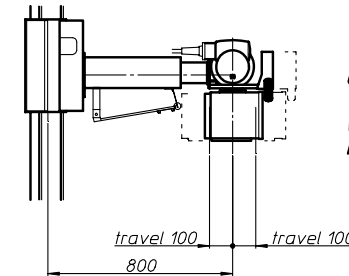
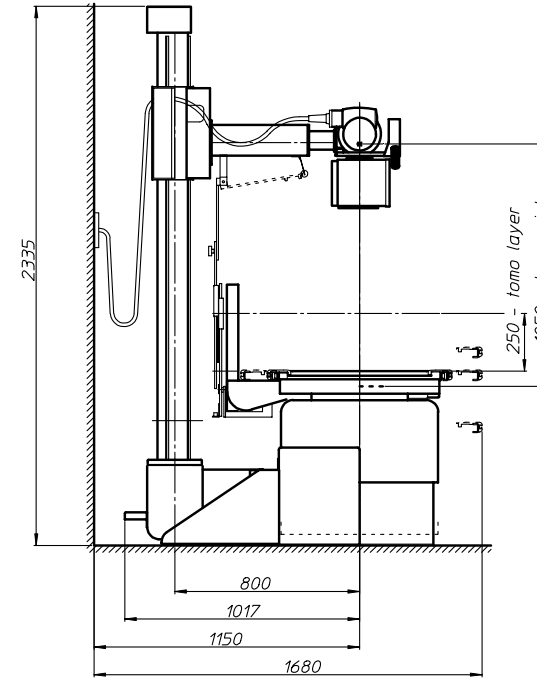
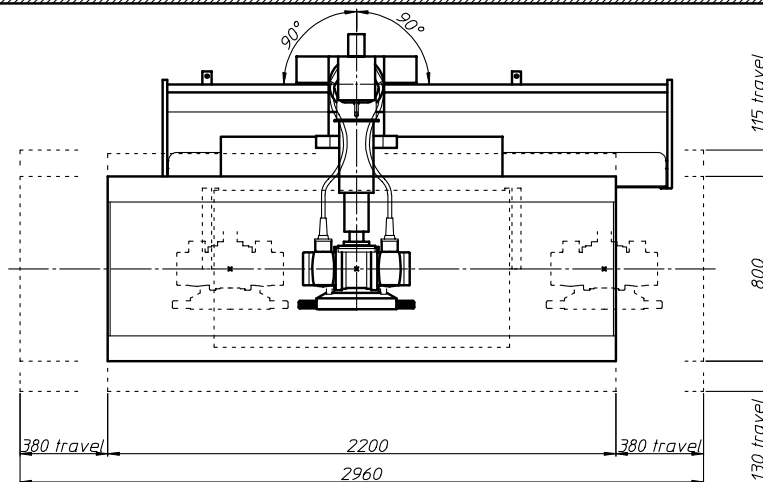
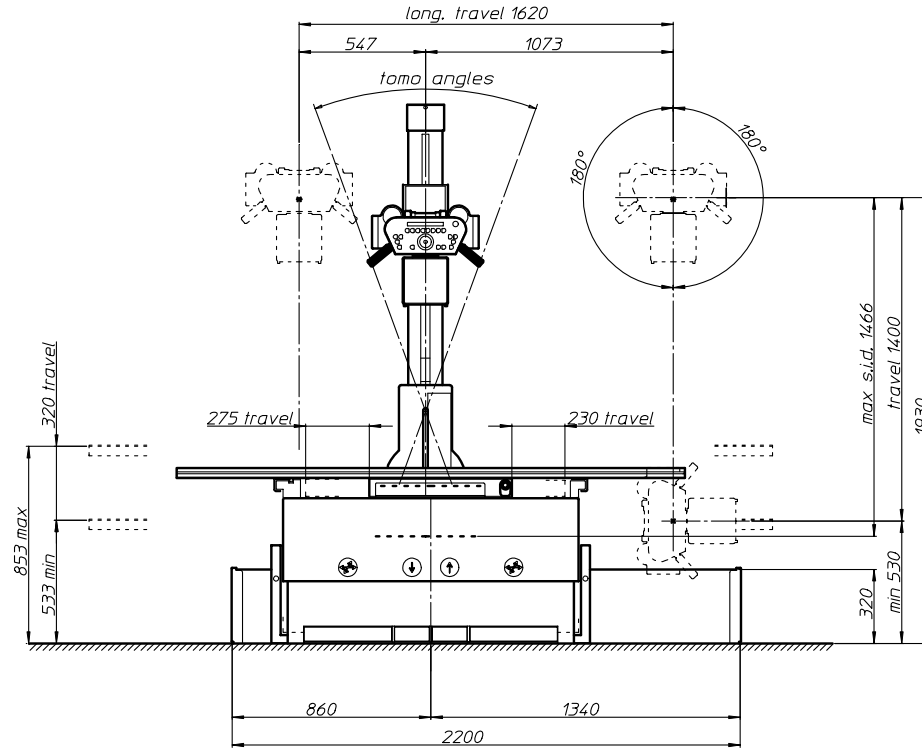
	Manual collimator with electronic timer and bucky indicator light
<b>PB0LRE</b>	Bucky with cassette tray for cassette with size up to 35x43 cm
<b>KGB104</b>	Grid DF=100cm R=10:1 40L/cm

**OPTIONS ACCESSORIES**

<b>ETA001</b>	Carbon fibre table top 220 x 76 cm (low absorption 0,45 mm Al eq.)
<b>ETA003</b>	Table top anticollision device
<b>96M000</b>	Tube support transversal movement of +/- 10 cm

Floor rail of 280 cm instead of 220 cm  
Floor rail shifted on the left side

<b>EP3122</b>	Bucky Picker size sensing / cassette tray
<b>EP3124</b>	Bucky Picker / cassette tray
<b>LB8000</b>	Bucky LF8000 / cassette tray
<b>LB9000</b>	Bucky LF9000 ACL
<b>CTA003</b>	Arm support (no clamp)
<b>CTA004</b>	Flebo support (no clamp)
<b>CTA020</b>	Aluminium clamp (universal)
<b>ZA0011</b>	Compression band with ratchet
<b>ZA0012</b>	Pair of patient hand grips
<b>ZA0013</b>	24x30 cm articulated lateral cassette holder
<b>ZA0014</b>	35x43 cm lateral cassette holder
<b>ZA0015</b>	Pair of leg support
<b>ZA0019</b>	Pair of table top edges



OPTION  
Tube arm support  
with transversal  
motion

TUBESTAND / ET HW TOMO STANDARD  
travel: long162 - vert140